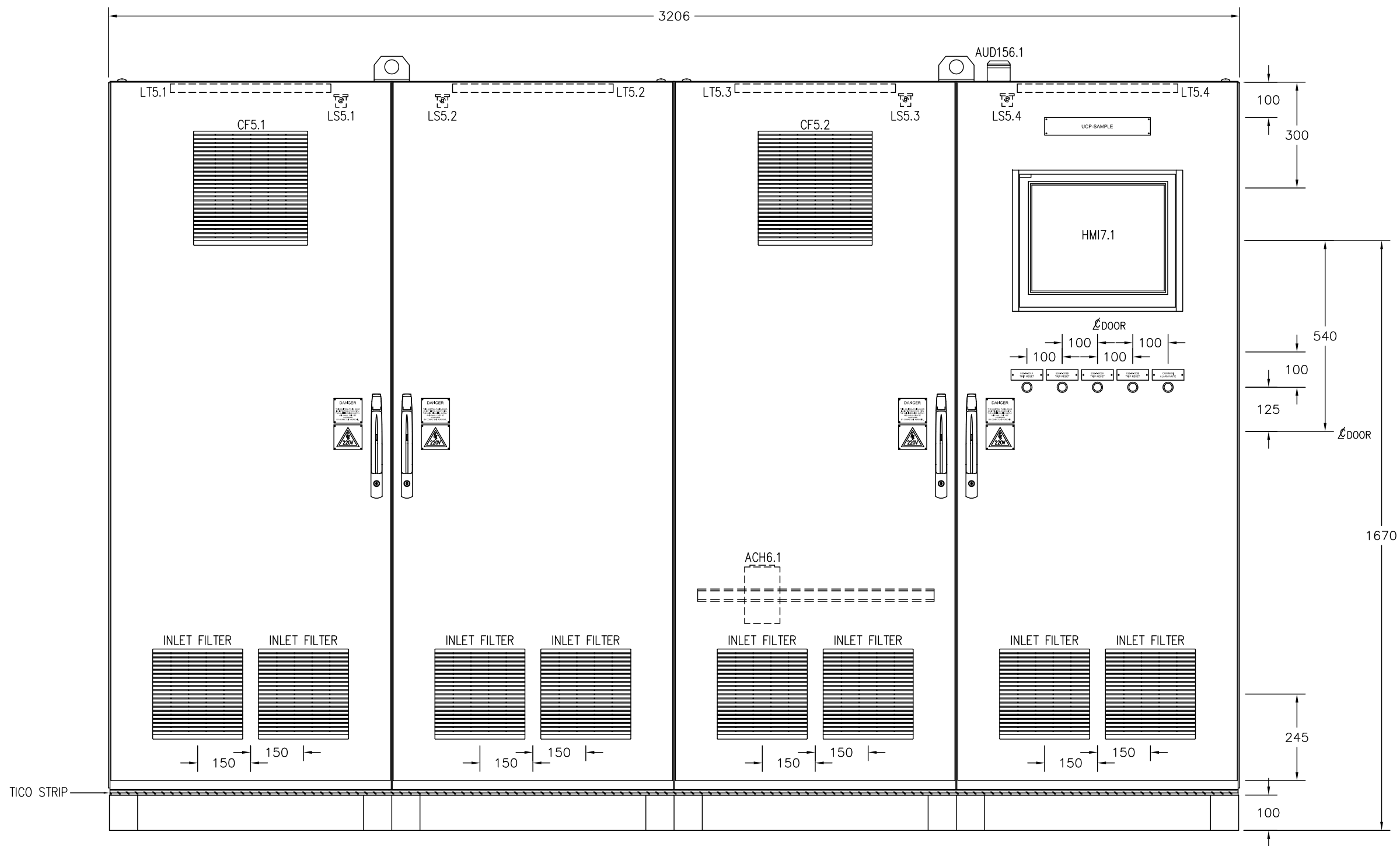
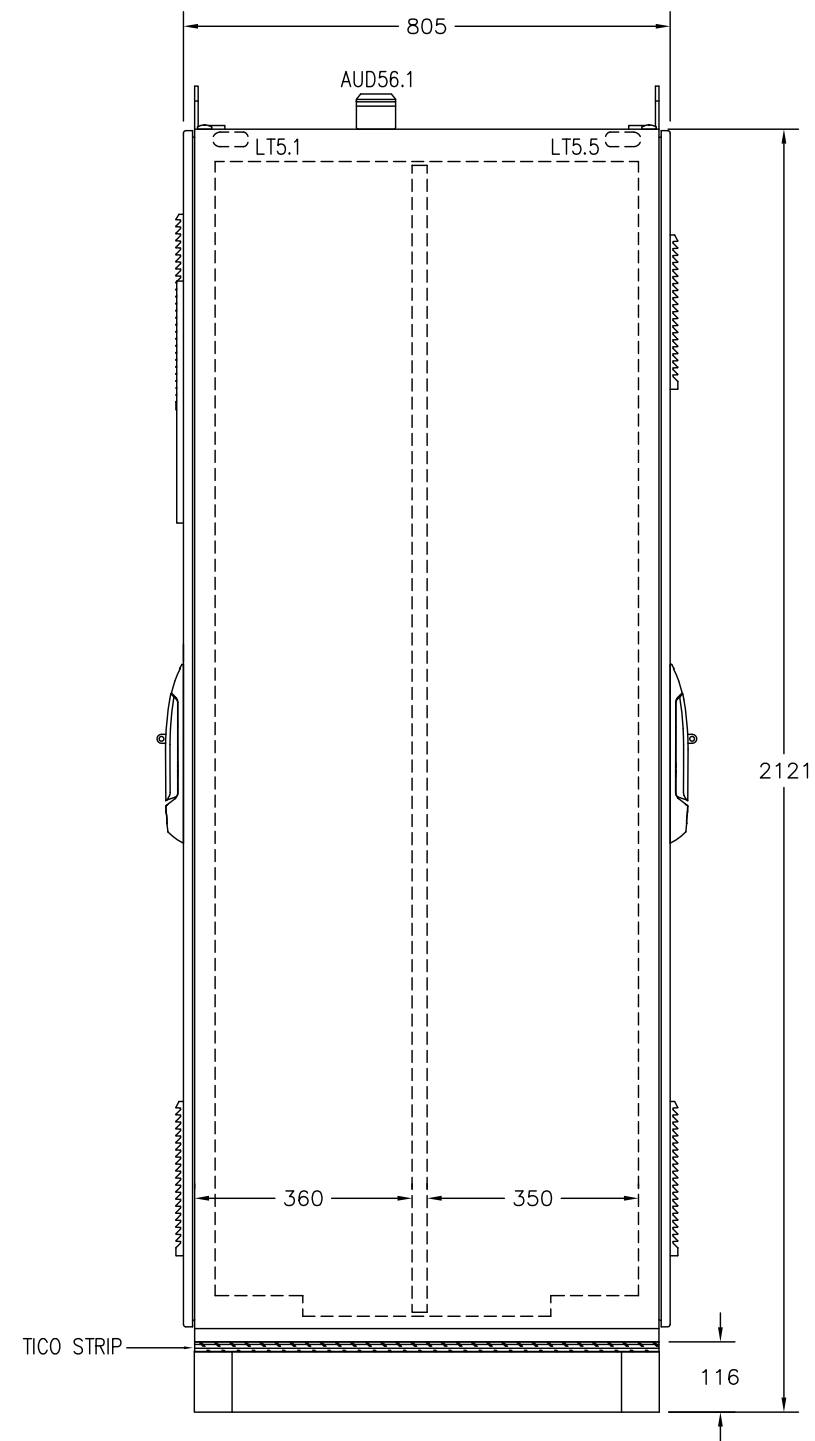


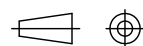
FRONT ELEVATION



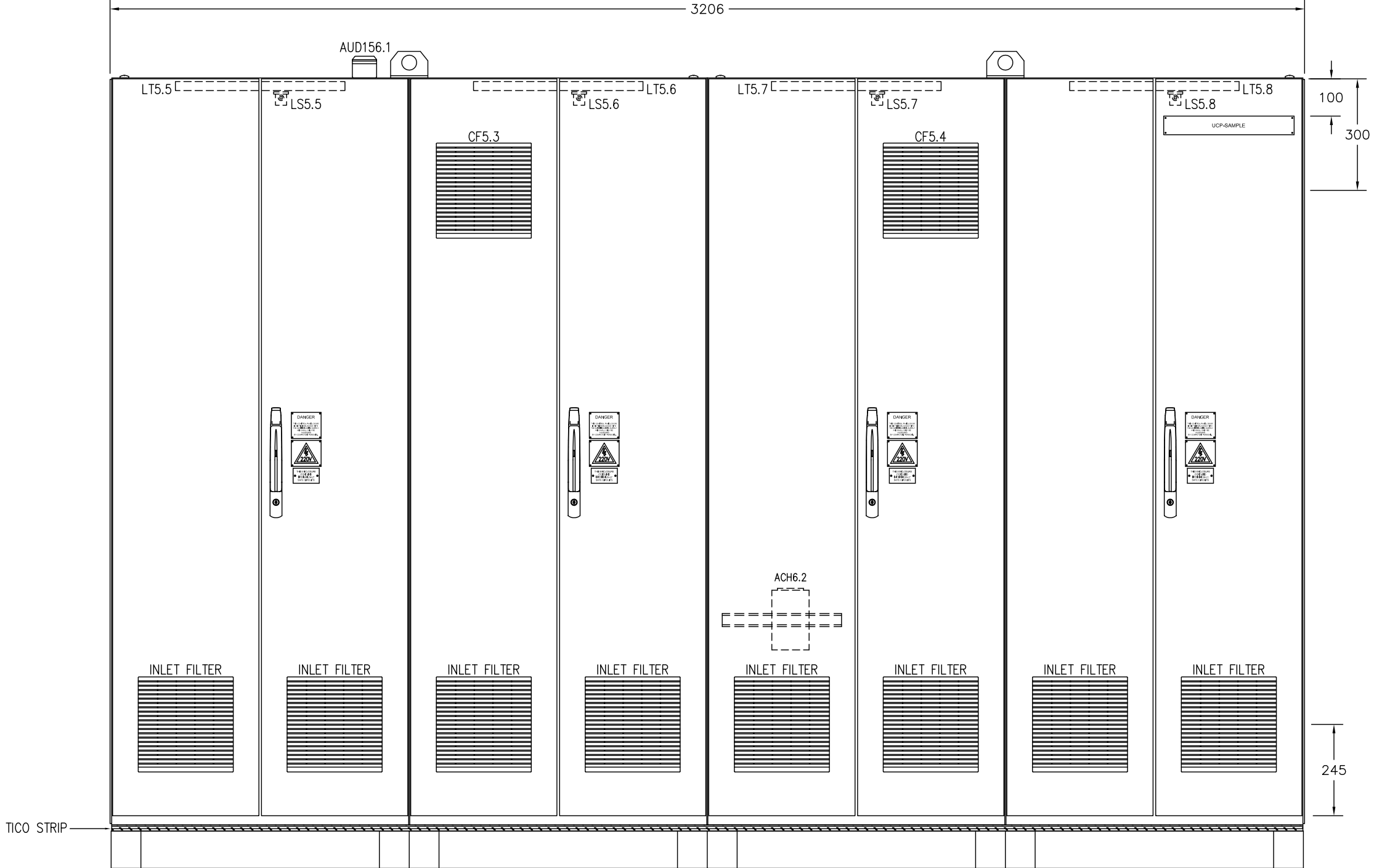
SPECIFICATION UNLESS OTHERWISE STATED	Scale. 1 : 12.5	Tolerance. + / - 1mm	Mounting holes. METRIC, TAPPED TO SUIT	Fascia label fixings. M3 STAINLESS MACHINE SCREWS	Earth studs. M8 BRASS IN TAPPED HOLES		REMOVE ALL SHARP EDGES AND DE-BURR
<b>P &amp; E Systems Ltd. Huddersfield</b> BSI Reg Firm BS EN ISO 9001:2008	Title SAMPLE GENERAL ARRANGEMENT FOR UNIT CONTROL PANEL WITH FRONT & REAR ACCESS.			Drg No. A/PSAMPLE	Date. 05.08.13	Rev. 0	Sheet No. 1 OF 8

SIDE ELEVATION



SPECIFICATION UNLESS OTHERWISE STATED	Scale. 1 : 12.5	Tolerance. + / - 1mm	Mounting holes. METRIC, TAPPED TO SUIT	Fascia label fixings. M3 STAINLESS MACHINE SCREWS	Earth studs. M8 BRASS IN TAPPED HOLES		REMOVE ALL SHARP EDGES AND DE-BURR
<b>P &amp; E Systems Ltd. Huddersfield</b> BSI Reg Firm BS EN ISO 9001:2008			Title SAMPLE GENERAL ARRANGEMENT FOR UNIT CONTROL PANEL WITH FRONT & REAR ACCESS.		Drg No. A/PSAMPLE	Date. 05.08.13	Rev. 0 Sheet No. 2 OF 8

REAR ELEVATION



SPECIFICATION UNLESS OTHERWISE STATED

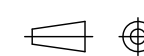
Scale. 1 : 12.5

Tolerance. + / - 1mm

Mounting holes. METRIC, TAPPED TO SUIT

Fascia label fixings. M3 STAINLESS MACHINE SCREWS

Earth studs. M8 BRASS IN TAPPED HOLES



REMOVE ALL SHARP EDGES AND DE-BURR

**P & E Systems Ltd. Huddersfield**  
BSI Reg Firm BS EN ISO 9001:2008

Title  
SAMPLE GENERAL ARRANGEMENT FOR UNIT CONTROL PANEL WITH FRONT & REAR ACCESS.

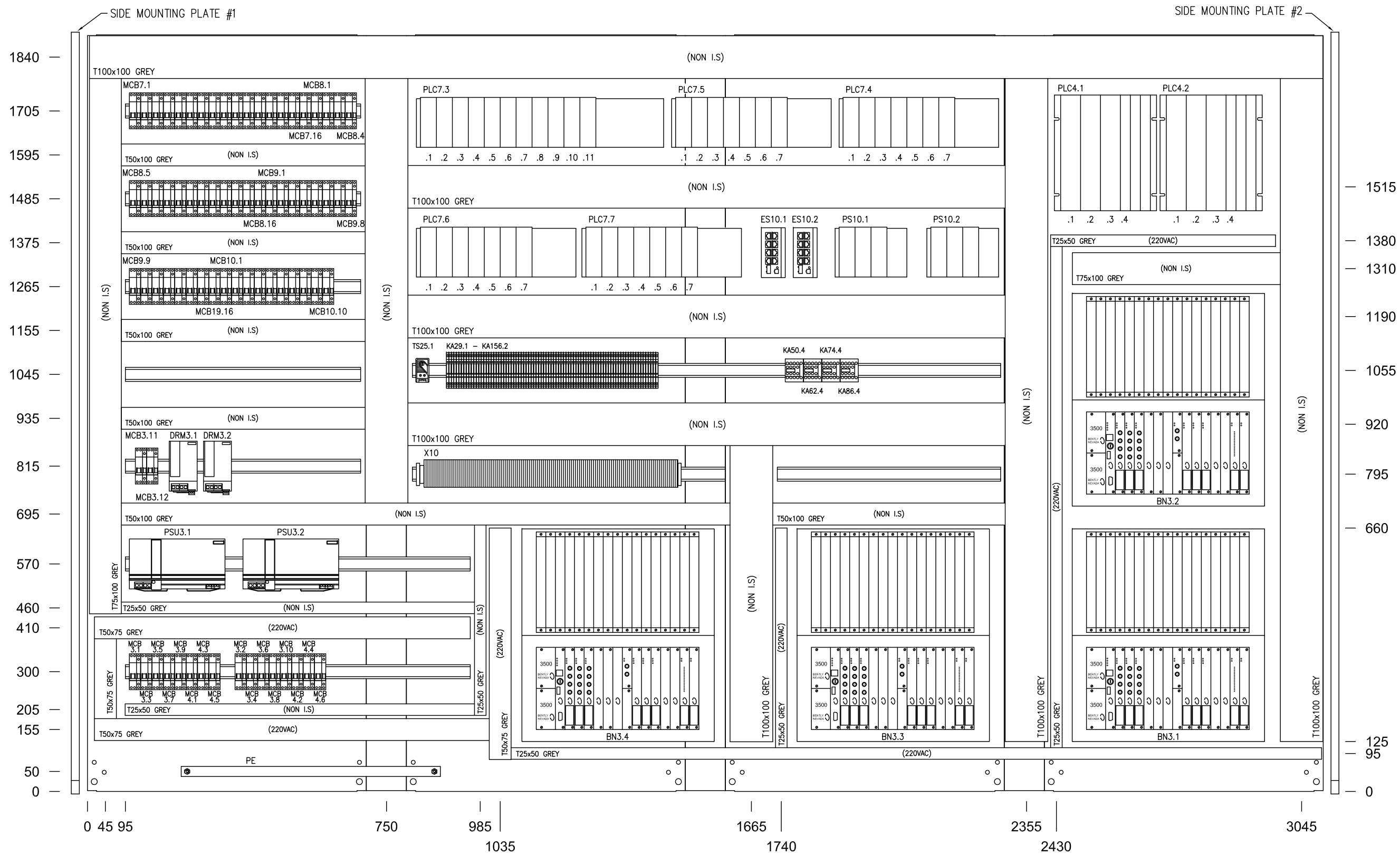
Drg No.  
A/PSAMPLE

Date.  
05.08.13

Rev.  
0

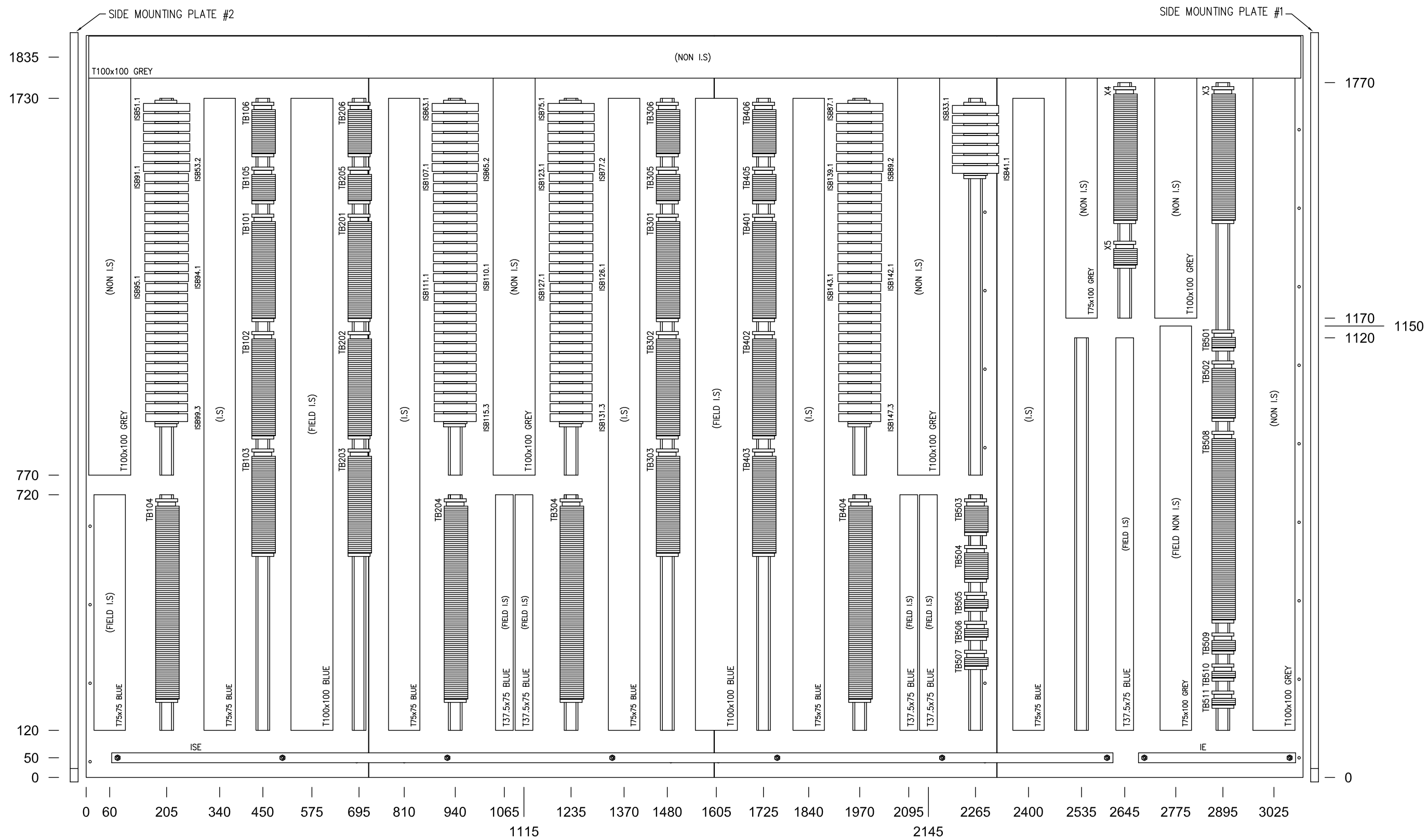
Sheet No.  
3 OF 8

# FRONT FACING MOUNTING PLATE



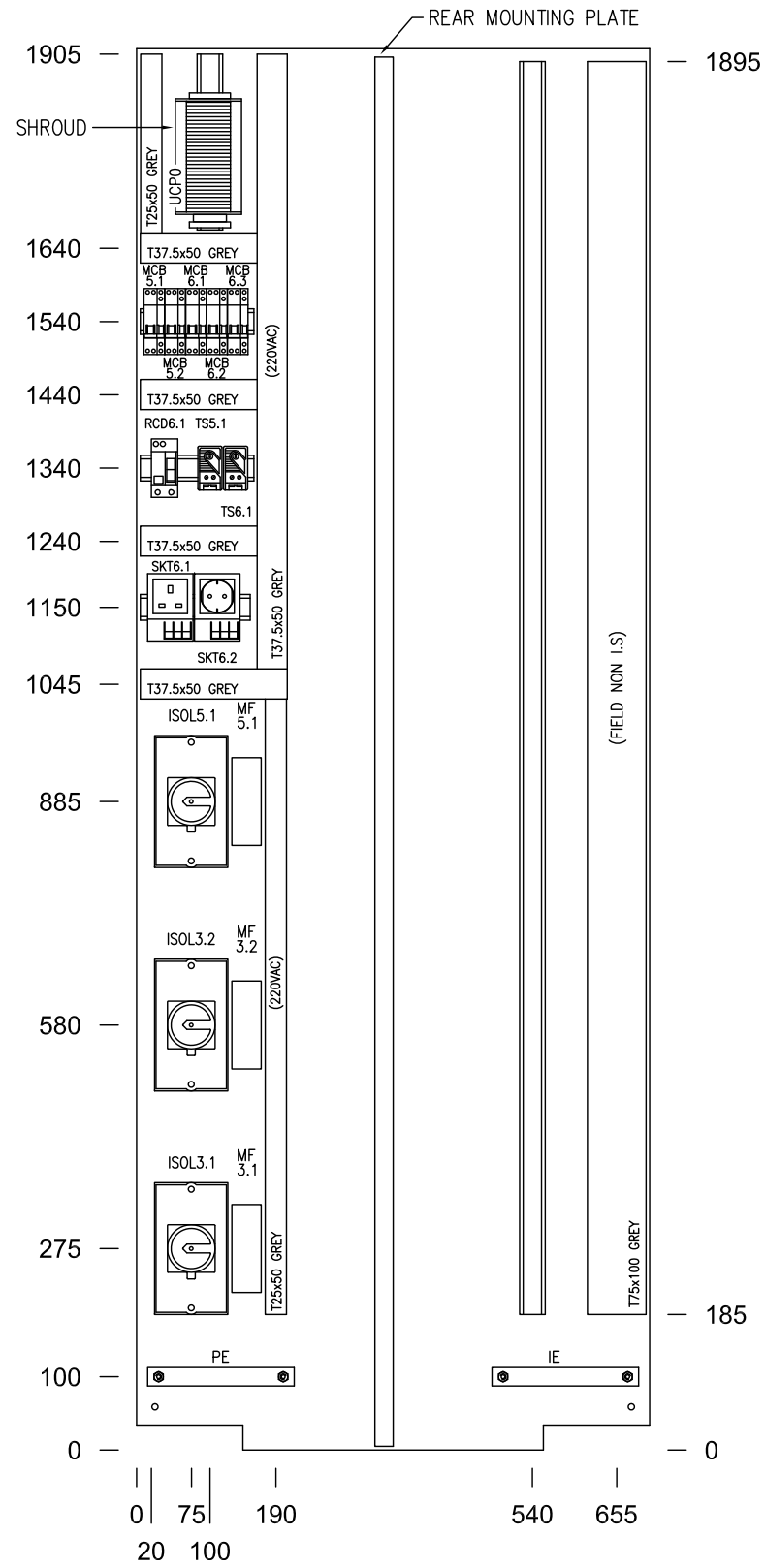
SPECIFICATION UNLESS OTHERWISE STATED	Scale. 1 : 10	Tolerance. + / - 1mm	Mounting holes. METRIC, TAPPED TO SUIT	Fascia label fixings. M3 STAINLESS MACHINE SCREWS	Earth studs. M8 BRASS IN TAPPED HOLES		REMOVE ALL SHARP EDGES AND DE-BURR
<b>P &amp; E Systems Ltd. Huddersfield</b> BSI Reg Firm BS EN ISO 9001:2008			Title SAMPLE GENERAL ARRANGEMENT FOR UNIT CONTROL PANEL WITH FRONT & REAR ACCESS.		Drg No. A/PSAMPLE		Date. 05.08.13
							Rev. 0
							Sheet No. 4 OF 8

# REAR FACING MOUNTING PLATE

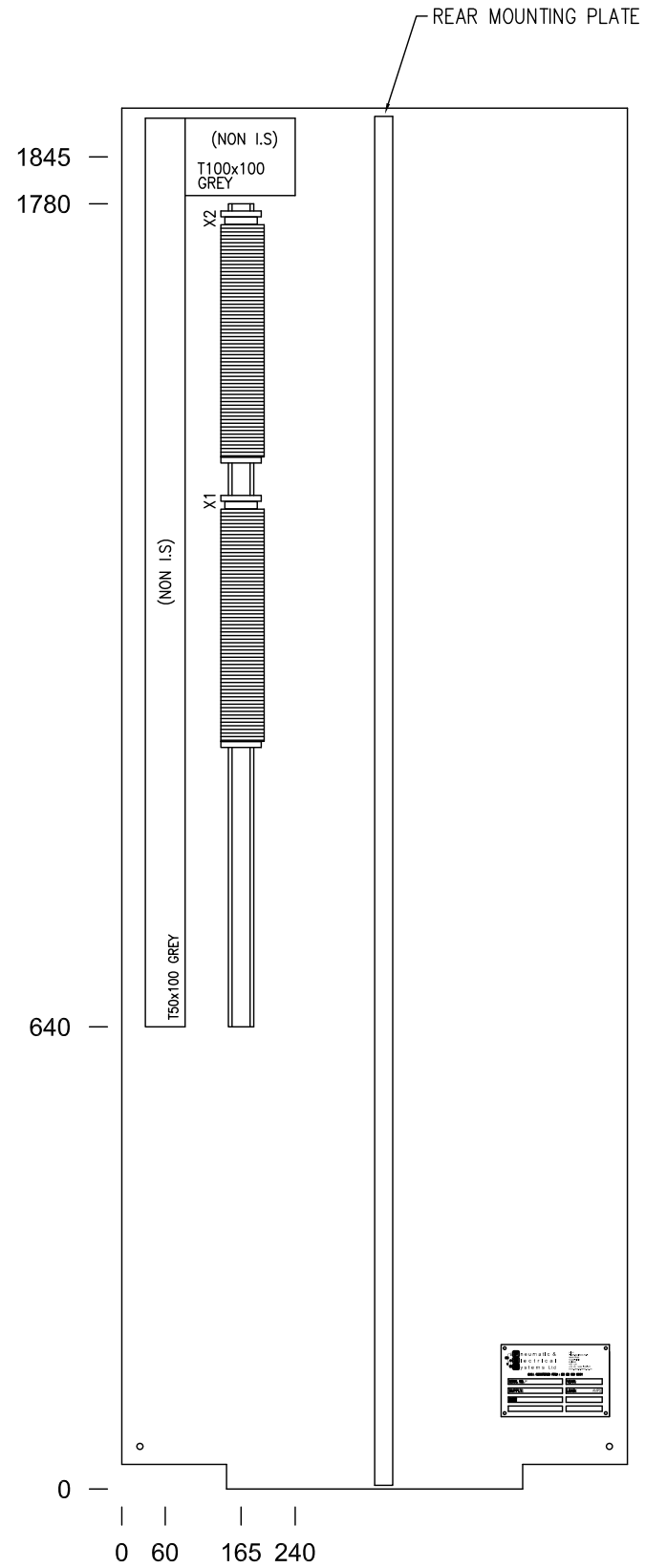


SPECIFICATION UNLESS OTHERWISE STATED	Scale. 1 : 10	Tolerance. + / - 1mm	Mounting holes. METRIC, TAPPED TO SUIT	Fascia label fixings. M3 STAINLESS MACHINE SCREWS	Earth studs. M8 BRASS IN TAPPED HOLES		REMOVE ALL SHARP EDGES AND DE-BURR
<b>P &amp; E Systems Ltd. Huddersfield</b> BSI Reg Firm BS EN ISO 9001:2008			Title SAMPLE GENERAL ARRANGEMENT FOR UNIT CONTROL PANEL WITH FRONT & REAR ACCESS.		Drg No. A/PSAMPLE		Date. 05.08.13
							Rev. 0
							Sheet No. 5 OF 8

SIDE MOUNTING PLATE #1



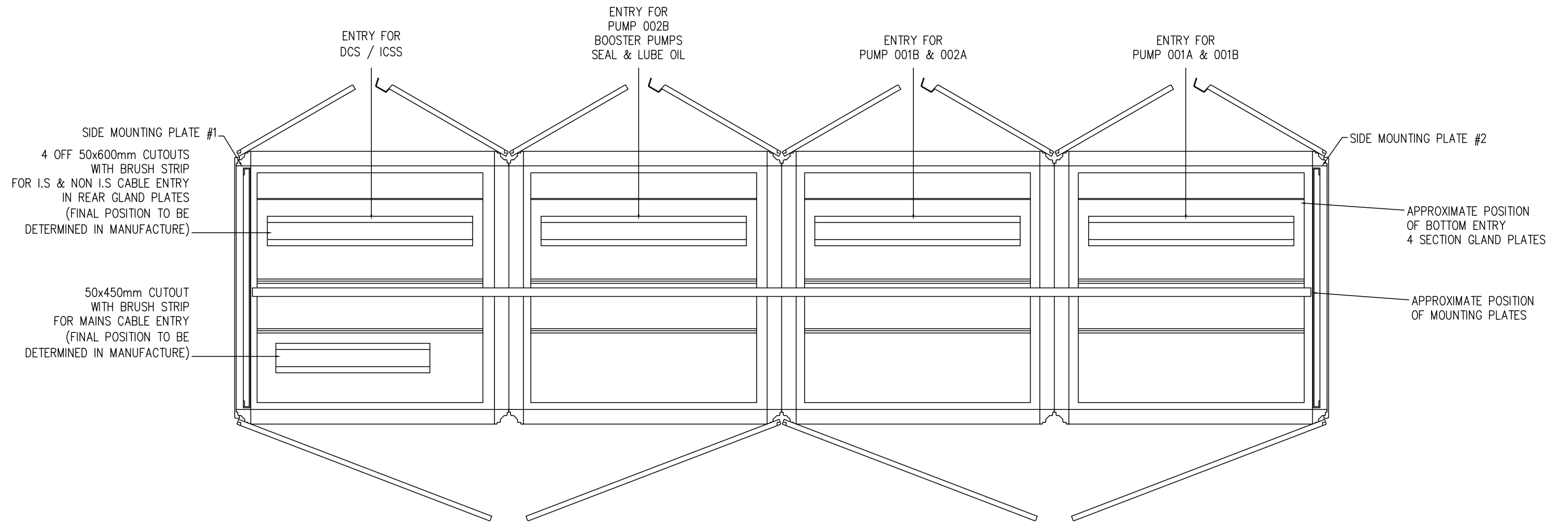
SIDE MOUNTING PLATE #2



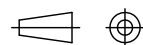
TERMINAL RAIL No.	TERMINAL QUANTITY	TERMINAL TYPE	TERMINAL RAIL No.	TERMINAL QUANTITY	TERMINAL TYPE
TB101	49	WTR2.5 BLUE	TB501	5	WTR2.5 BEIGE
TB102	49	WTR2.5 BLUE	TB502	25	WTR2.5 BEIGE
TB103	49	WTR2.5 BLUE	TB503	13	WTR2.5 BLUE
TB104	98	WTR2.5 BLUE	TB504	13	WTR2.5 BLUE
TB105	13	WTR2.5 BLUE	TB505	4	WTR2.5 BLUE
TB106	22	WTR2.5 BLUE	TB506	4	WTR2.5 BLUE
TB201	49	WTR2.5 BLUE	TB507	4	WTR2.5 BLUE
TB202	49	WTR2.5 BLUE	TB508	92	WTR2.5 BEIGE
TB203	49	WTR2.5 BLUE	TB509	5	WTR2.5 BEIGE
TB204	98	WTR2.5 BLUE	TB510	3	WTR2.5 BEIGE
TB205	13	WTR2.5 BLUE	TB511	3	WTR2.5 BEIGE
TB206	22	WTR2.5 BLUE	UCP0	30	WDU2.5 BEIGE
TB301	49	WTR2.5 BLUE	X1	64	WTR2.5 BEIGE
TB302	49	WTR2.5 BLUE	X2	64	WTR2.5 BEIGE
TB303	49	WTR2.5 BLUE	X3	64	WTR2.5 BEIGE
TB304	98	WTR2.5 BLUE	X4	64	WTR2.5 BEIGE
TB305	13	WTR2.5 BLUE	X5	8	WTR2.5 BEIGE
TB306	22	WTR2.5 BLUE	X10	127	WDK2.5 BEIGE
TB401	49	WTR2.5 BLUE			
TB402	49	WTR2.5 BLUE			
TB403	49	WTR2.5 BLUE			
TB404	98	WTR2.5 BLUE			
TB405	13	WTR2.5 BLUE			
TB406	22	WTR2.5 BLUE			

SPECIFICATION UNLESS OTHERWISE STATED	Scale. 1 : 10	Tolerance. + / - 1mm	Mounting holes. METRIC, TAPPED TO SUIT	Fascia label fixings. M3 STAINLESS MACHINE SCREWS	Earth studs. M8 BRASS IN TAPPED HOLES		REMOVE ALL SHARP EDGES AND DE-BURR
P & E Systems Ltd. Huddersfield BSI Reg Firm BS EN ISO 9001:2008		Title SAMPLE GENERAL ARRANGEMENT FOR UNIT CONTROL PANEL WITH FRONT & REAR ACCESS.			Drg No. A/PSAMPLE	Date. 05.08.13	Rev. 0 Sheet No. 6 OF 8

REAR



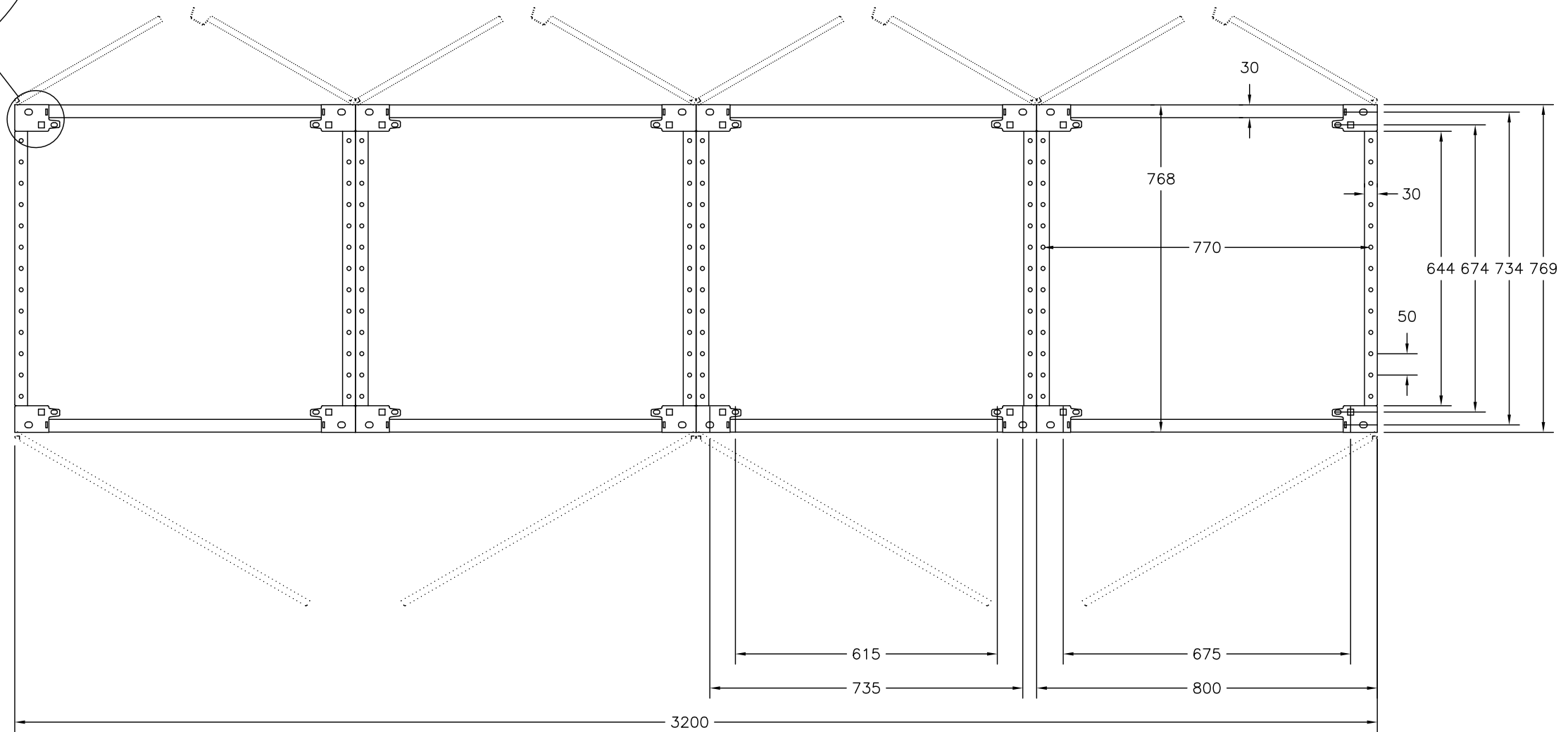
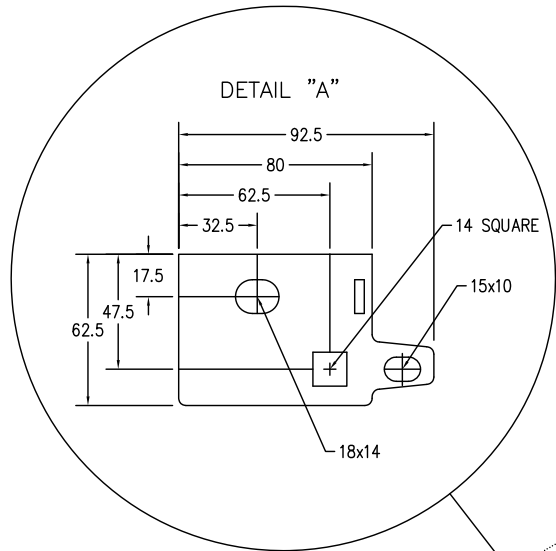
FRONT

SPECIFICATION UNLESS OTHERWISE STATED	Scale. 1 : 12.5	Tolerance. + / - 1mm	Mounting holes. METRIC, TAPPED TO SUIT	Fascia label fixings. M3 STAINLESS MACHINE SCREWS	Earth studs. M8 BRASS IN TAPPED HOLES		REMOVE ALL SHARP EDGES AND DE-BURR	
<b>P &amp; E Systems Ltd. Huddersfield</b> BSI Reg Firm BS EN ISO 9001:2008		Title SAMPLE GENERAL ARRANGEMENT FOR UNIT CONTROL PANEL WITH FRONT & REAR ACCESS.			Drg No. A/PSAMPLE	Date. 05.08.11	Rev. 0	Sheet No. 7 OF 8

BASE MOUNTING PLINTH FOOTPRINT DETAILS

REAR

FRONT



SPECIFICATION UNLESS OTHERWISE STATED	Scale. 1 : 12.5	Tolerance. + / - 1mm	Mounting holes. METRIC, TAPPED TO SUIT	Fascia label fixings. M3 STAINLESS MACHINE SCREWS	Earth studs. M8 BRASS IN TAPPED HOLES		REMOVE ALL SHARP EDGES AND DE-BURR
<b>P &amp; E Systems Ltd. Huddersfield</b> BSI Reg Firm BS EN ISO 9001:2008		Title SAMPLE GENERAL ARRANGEMENT FOR UNIT CONTROL PANEL WITH FRONT & REAR ACCESS.			Drg No. A/PSAMPLE	Date. 05.08.13	Rev. 0 Sheet No. 8 OF 8