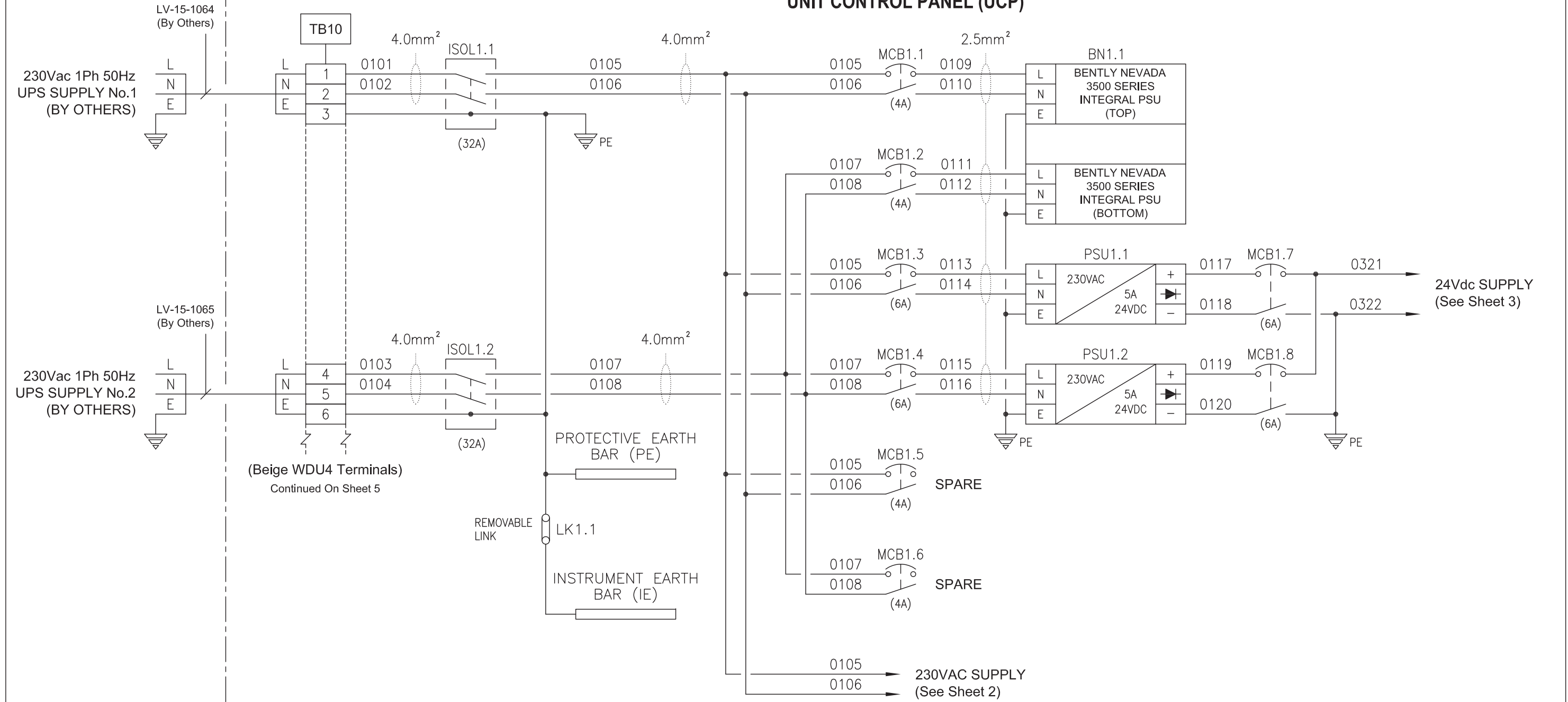


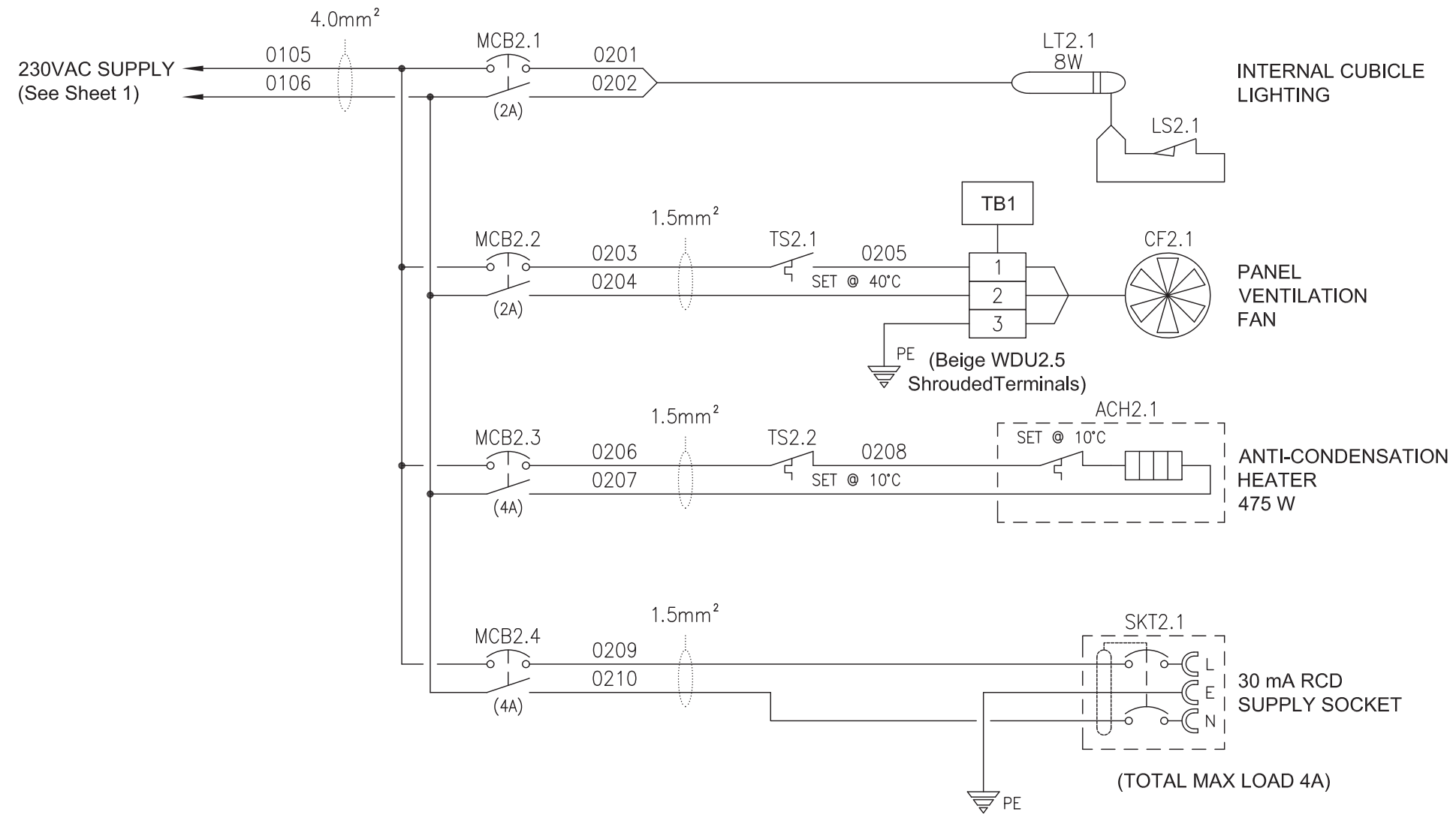
UNIT CONTROL PANEL (UCP)



(Beige WDU4 Terminals)
Continued On Sheet 5

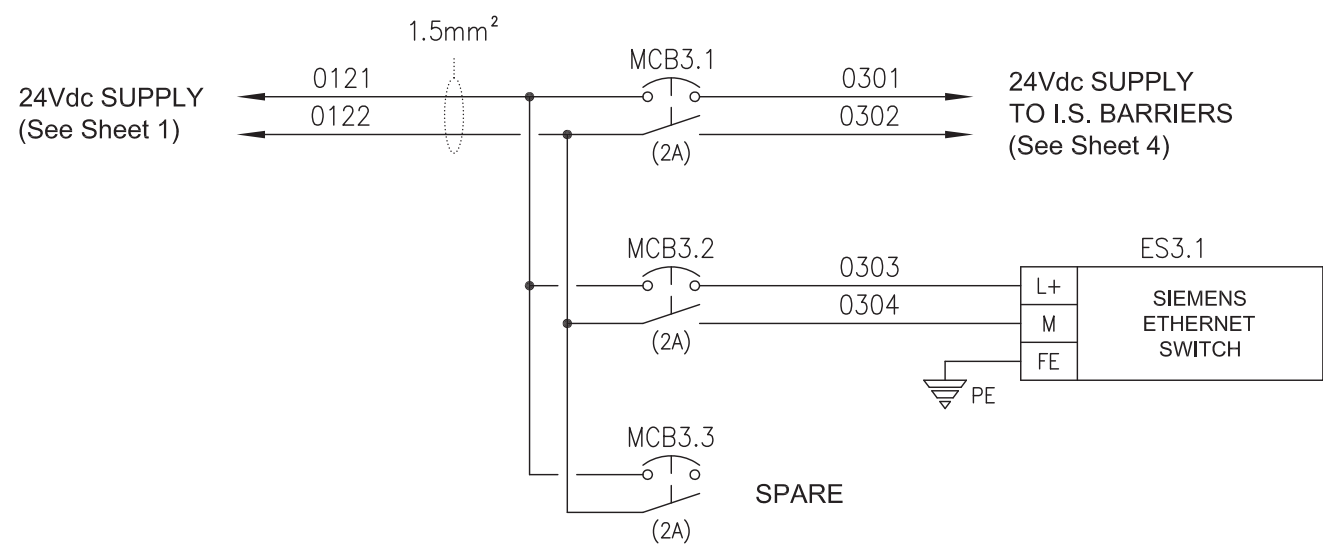
LOOP SERVICE	POWER SUPPLY / DISTRIBUTION
--------------	-----------------------------

UNIT CONTROL PANEL (UCP)

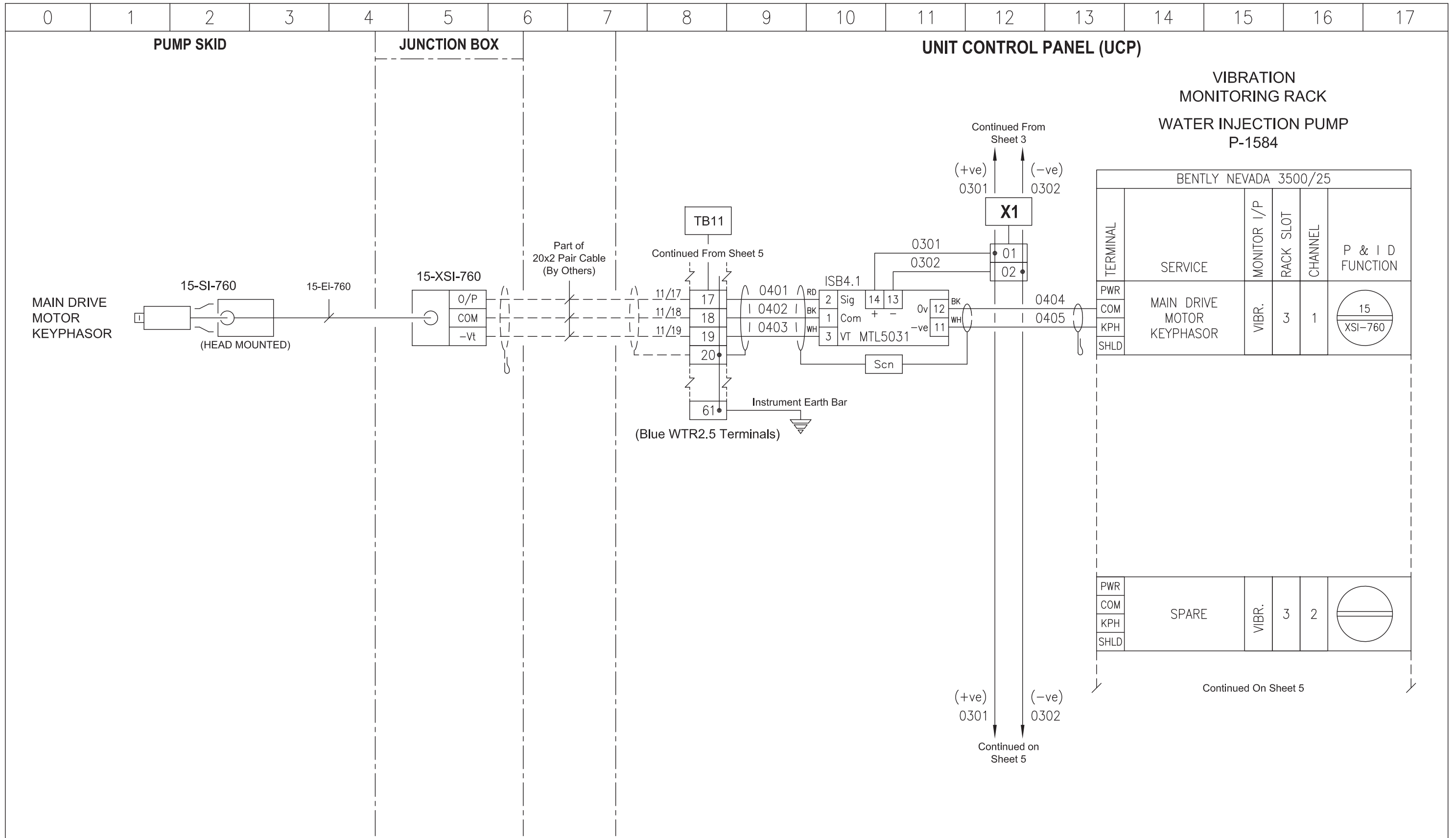


		LOOP SERVICE	CUBICLE SERVICES			
P & E Systems Ltd. Huddersfield BSI Reg Firm BS EN ISO 9001:2008	Title SAMPLE WIRING SCHEDULE FOR UNIT CONTROL PANEL.	100106689-0010	Drg No. S/PSAMPLE	Date.	Rev.	Sheet No.
				05.08.13	0	2 OF 10

UNIT CONTROL PANEL (UCP)



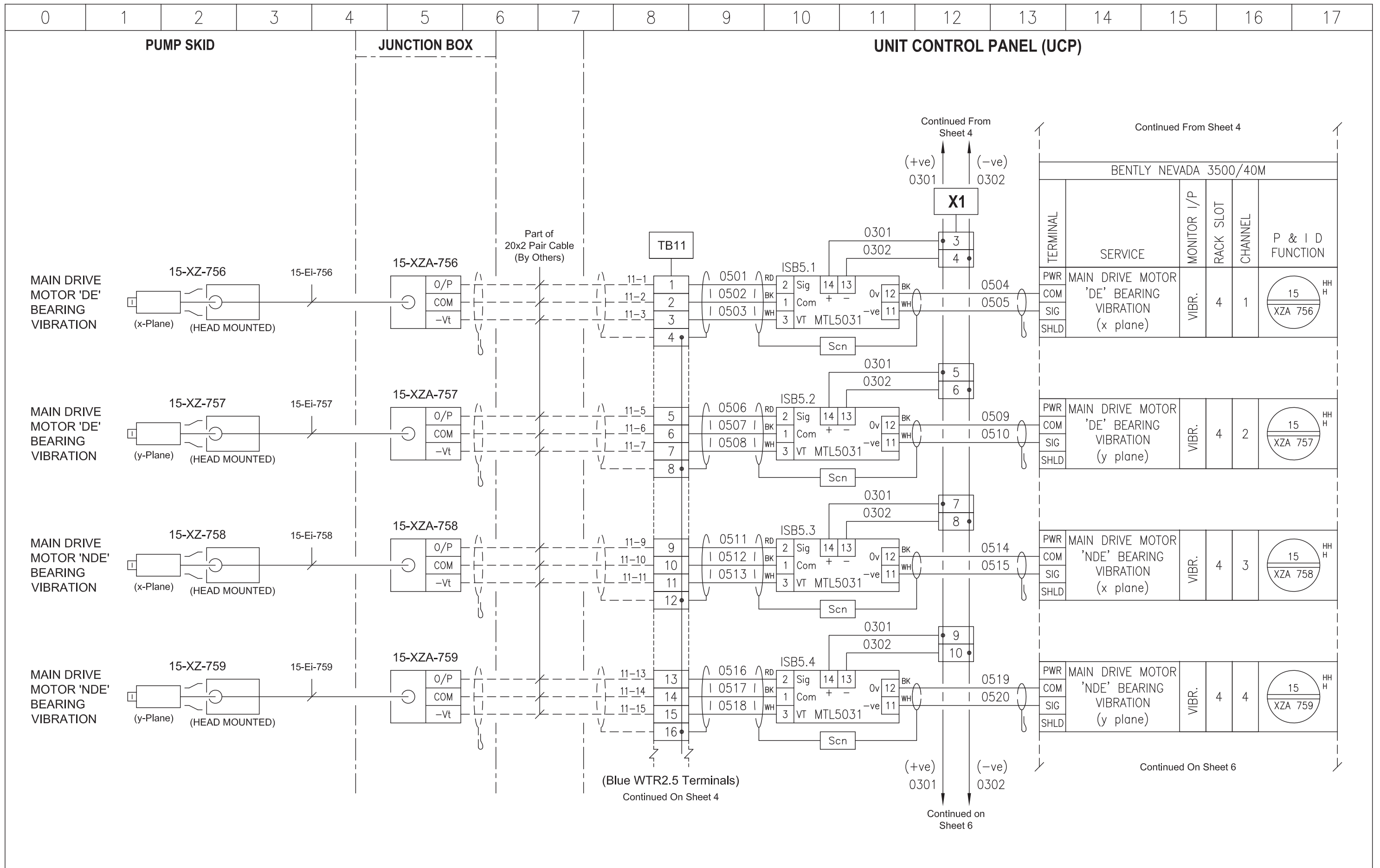
LOOP SERVICE	24VDC DISTRIBUTION
--------------	--------------------

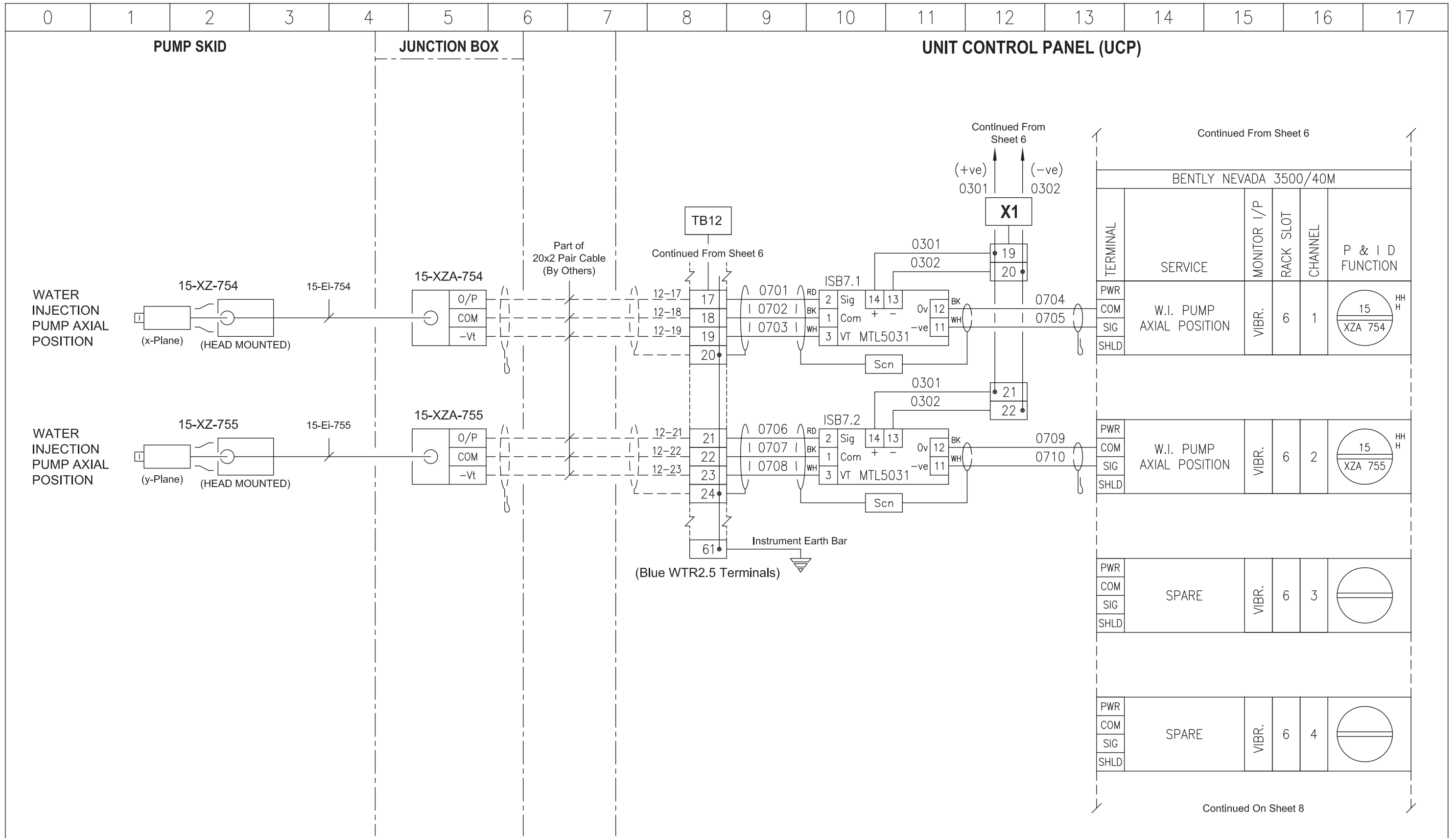


VIBRATION MONITORING RACK
WATER INJECTION PUMP P-1584

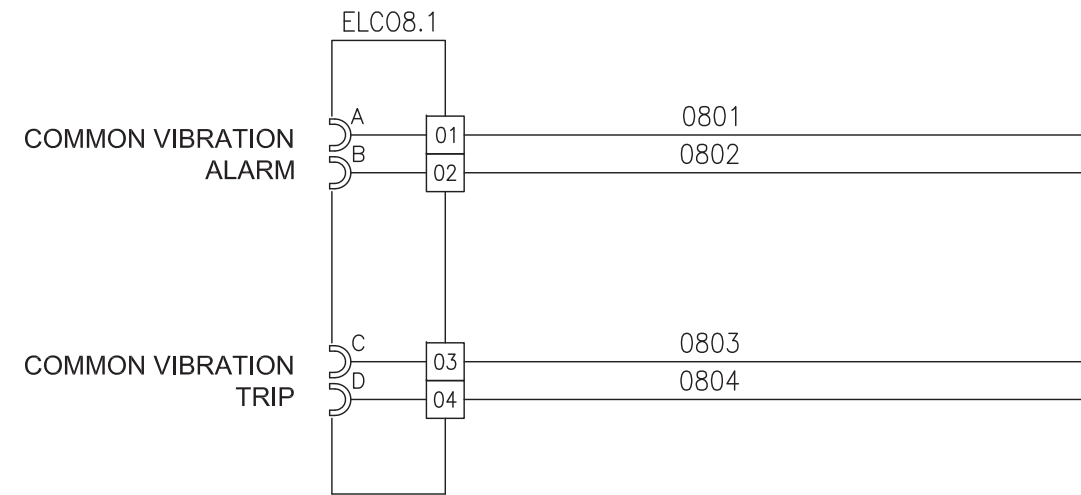
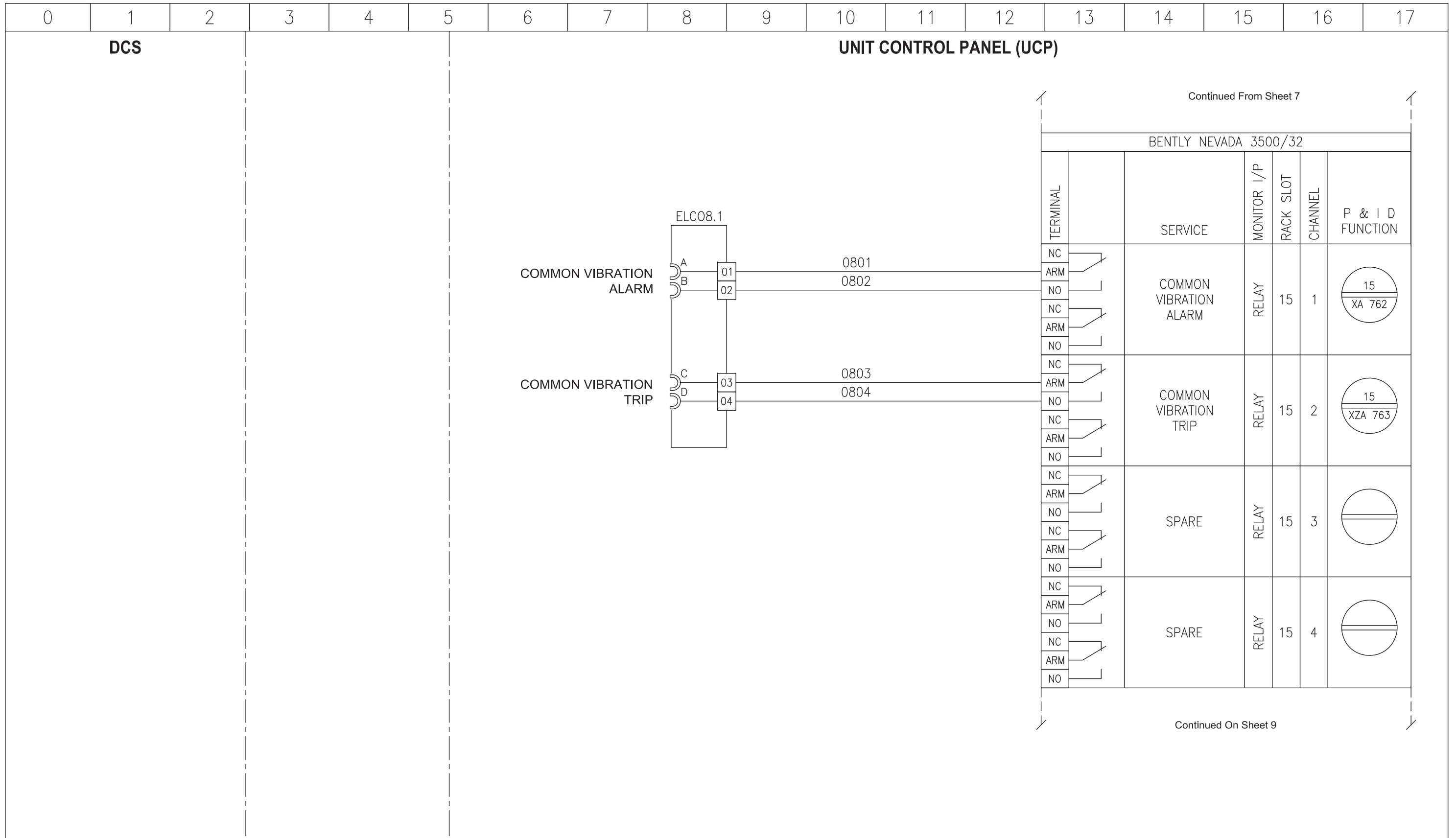
BENTLY NEVADA 3500/25					
TERMINAL	SERVICE	MONITOR I/P	RACK SLOT	CHANNEL	P & I D FUNCTION
PWR	MAIN DRIVE MOTOR KEYPHASOR	VIBR.	3	1	<div style="border: 1px solid black; border-radius: 50%; width: 30px; height: 30px; display: flex; align-items: center; justify-content: center; margin: 0 auto;"> 15 XSI-760 </div>
COM					
KPH					
SHLD					
PWR	SPARE	VIBR.	3	2	<div style="border: 1px solid black; border-radius: 50%; width: 30px; height: 30px; display: flex; align-items: center; justify-content: center; margin: 0 auto;"> <hr style="width: 80%;"/> </div>
COM					
KPH					
SHLD					

LOOP SERVICE	KEY-PHASOR PROBE INPUTS (BN 3500 SYSTEM)
--------------	--





LOOP SERVICE	VIBRATION PROBE INPUTS (BN 3500 SYSTEM)
--------------	---

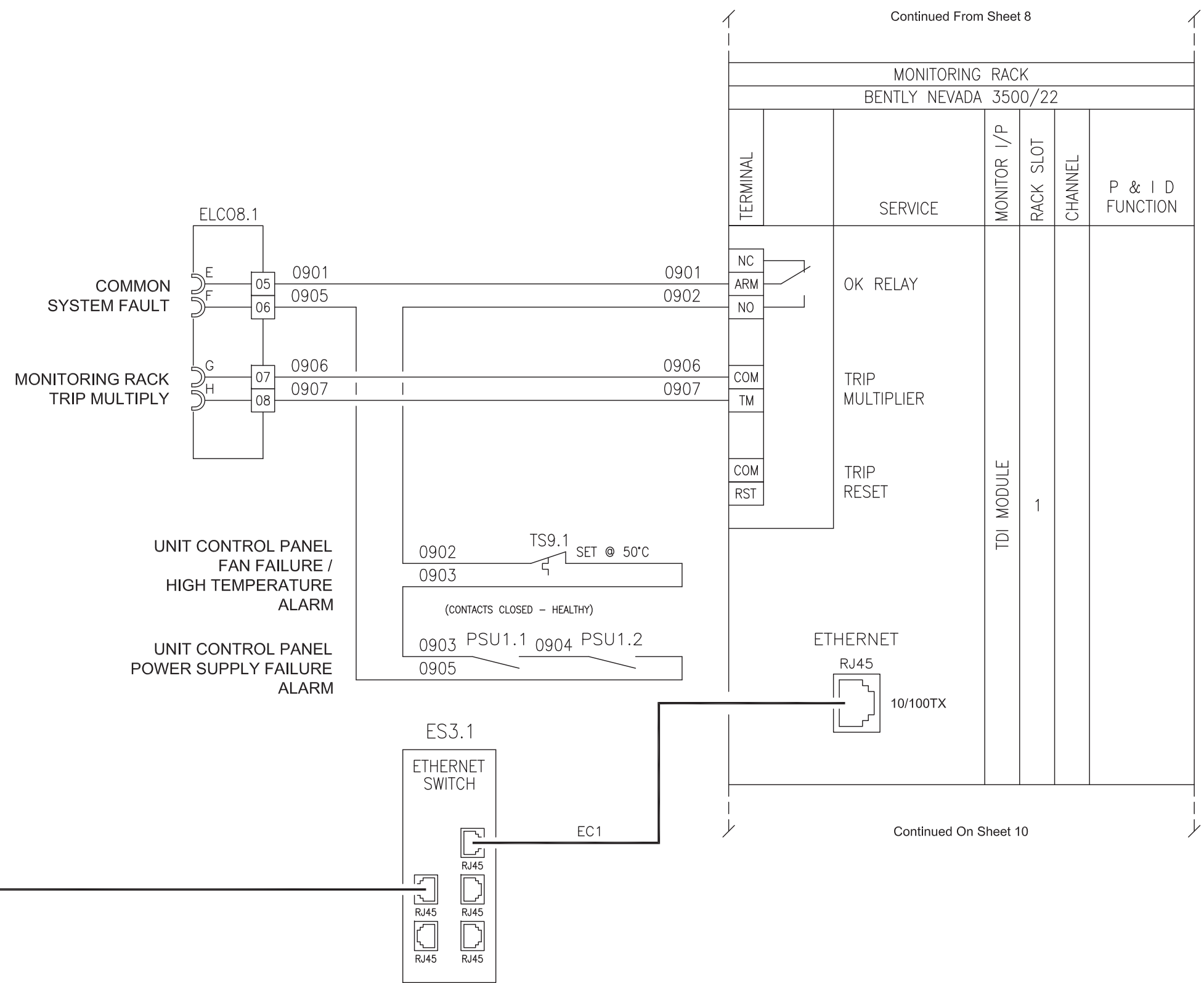


LOOP SERVICE	VIBRATION ALARM / TRIP RELAYS (BN 3500 SYSTEM)
--------------	--

DCS

UNIT CONTROL PANEL (UCP)

Continued From Sheet 8



TERMINAL	SERVICE	MONITOR I/P	RACK SLOT	CHANNEL	P & I D FUNCTION
NC	OK RELAY	TDI MODULE	1		
ARM	OK RELAY				
NO	OK RELAY				
COM	TRIP MULTIPLIER				
TM	TRIP MULTIPLIER				
COM	TRIP RESET				
RST	TRIP RESET				

Continued On Sheet 10

ETHERNET CONNECTION TO CLIENT'S 'SYSTEM 1' (BY OTHERS)

LOOP SERVICE	RACK INTERFACE MODULE (BN 3500 SYSTEM)
--------------	--

DCS

UNIT CONTROL PANEL (UCP)

Continued from Sheet 9

MONITORING RACK

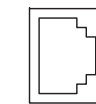
BENTLY NEVADA 3500/92

COMMS MODULE PARAMETERS

SIGNAL TYPE	:	RS485
PROTOCOL	:	MODBUS
PARITY / STOP BITS	:	NONE / ONE
BAUD RATE	:	9600
FULL SCALE DATA RANGE	:	10,000

RACK SLOT 2

ETHERNET



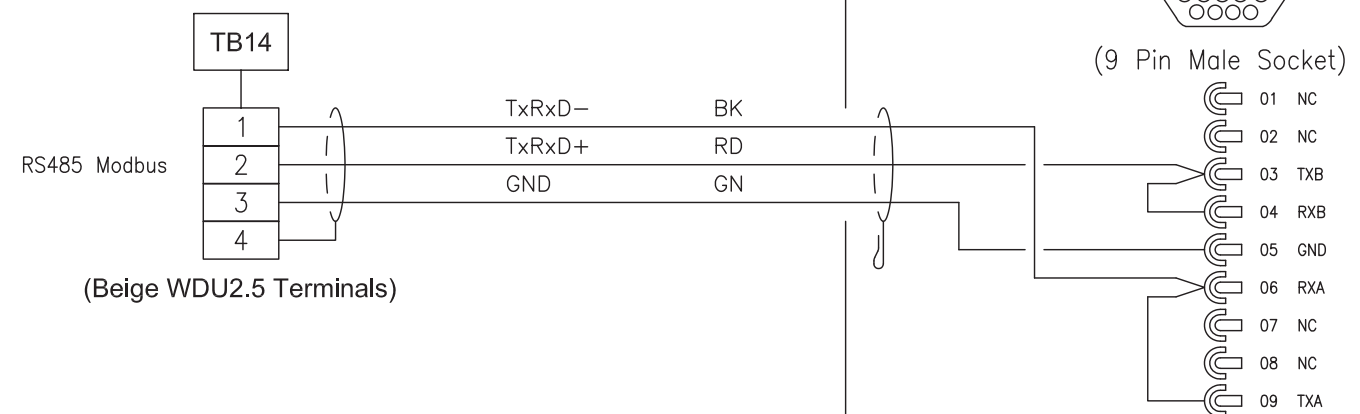
RJ45

RS-485
MODBUS



(9 Pin Male Socket)

- 01 NC
- 02 NC
- 03 TXB
- 04 RXB
- 05 GND
- 06 RXA
- 07 NC
- 08 NC
- 09 TXA



MAXIMUM CABLE RUN FOR RS485,
NO LONGER THAN 4000 FEET

LOOP SERVICE	VIBRATION DATA LINK - ETHERNET / RS485 (BN 3500 SYSTEM)
--------------	---